



Balustrade Systems

Pacific Columns balustrade systems create beautifully detailed exteriors for both stately homes and commercial buildings. The beauty and grandeur of our classically designed balusters and spindles, in combination with our columns and capitals will enhance the beauty of any building exterior.

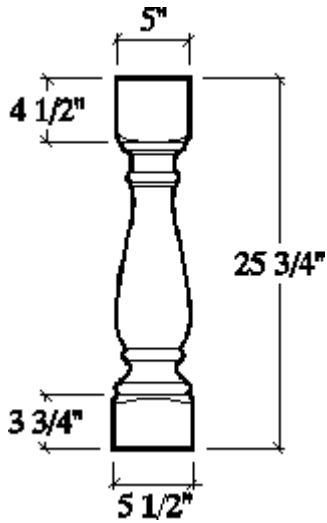
Our unique patent-pending composite replicates the smooth consistency of natural cultured marble while offering a virtually maintenance-free product. This innovative material, a combination of crushed marble and fiberglass-reinforced resins, has the structural strength of traditional stone balustrades without the added weight and installation difficulties. Far exceeding all BOCA requirements, all Pacific Column balustrade components are impact resistant.



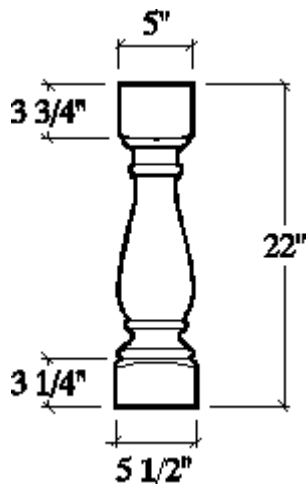
04

The Cambridge Balustrade System

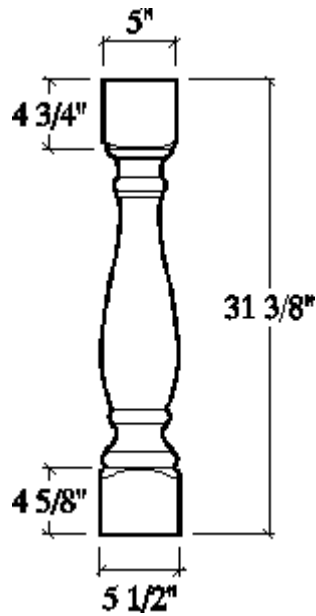
Marble & Resin Composite Product Manufactured By Pacific Columns.



Cambridge Residential Baluster



Cambridge Roof Baluster



Cambridge Commercial Baluster



Pacific Columns

1040 S. Melrose
Placentia, CA 92870
1.800.294.1098 or 1.714.630.4550
1.714.630.4549 Fax
www.pacificcolumns.com

The Cambridge Balustrade System

Marble & Resin Composite Product Manufactured By Pacific Columns.

Residential Installations

Straight Applications & Extended For Stair Applications

Product Specifications:

Building codes for residential applications of balusters are typically specified at 36" in height.

<u>Balusters</u>	<u>4" Sphere Code*</u>	<u>Typical Spacing</u>
Rail System Height:	37-1/4"	37-1/4"
Spacing:	1-1/4"	3"
Spacing On Center:	6-3/4"	8-1/2"
Balusters Needed per Linear Foot [LF]	1.778	1.37
Weight per LF Baluster, Rail & Hardware:	81 lbs.	71 lbs.

<u>Newel Posts</u>	<u>Peaked</u>	<u>Rounded Cap</u>
12" Newel Post	137.75 lbs.	145 lbs.
12" Half Newel Post	68.88 lbs.	72.5 lbs.
12" Extended Newel Post	171 lbs.	178.25 lbs.
18" Newel Post	na	199.25 lbs.
18" Half Newel Post	na	99.63 lbs.
18" Extended Newel Post	na	264.75 lbs.
45° Newel Post	184 lbs.	190.5 lbs.
45° Half Newel Post	92 lbs.	95.25 lbs.

Ball Tops

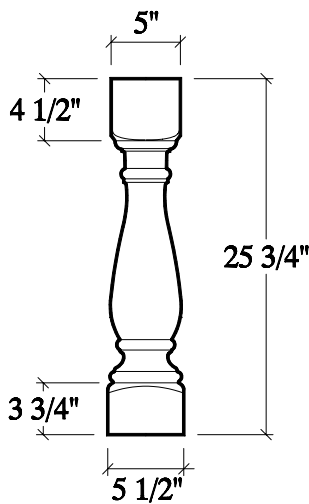
Large Ball Top [BT-08] 16 lbs.

Note: Ball Tops are to be used only with rounded cap newel posts.

*4" Sphere Code spacing requires that a 4" ball cannot fit through any spacing between balusters. Customers are responsible for local code adherence.

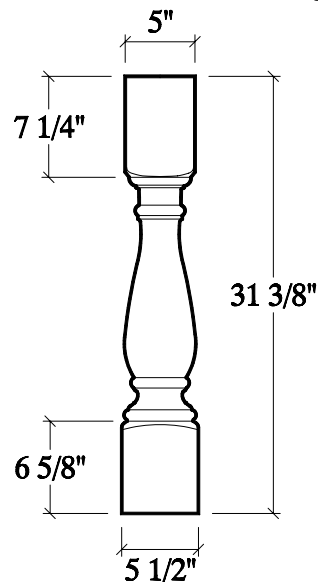
Balusters

Straight Applications Balusters



BC340-25

Extended For Stair Applications



BC340-31 - Extended

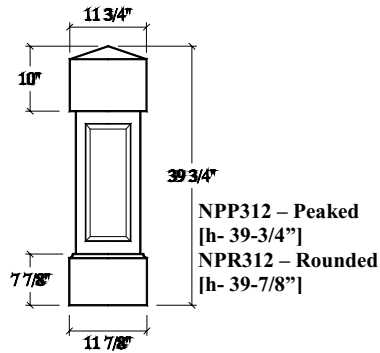
The Cambridge Balustrade System

Marble & Resin Composite Product Manufactured By Pacific Columns.

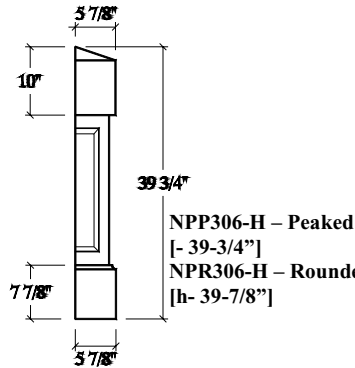
Residential Installations

12" Newel Posts

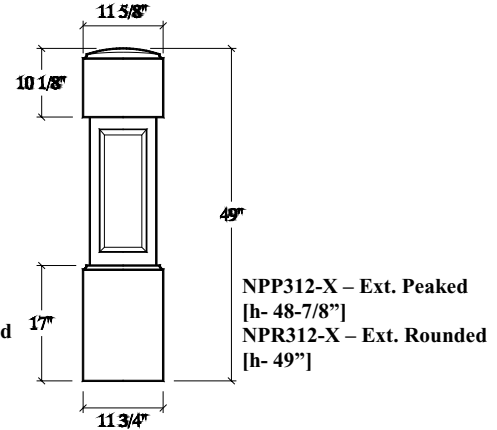
Newel Post



Half Newel Post

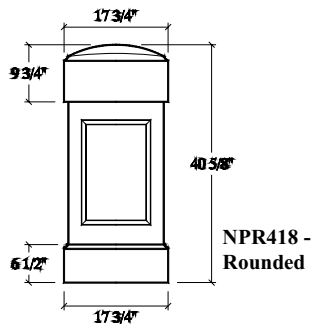


Extended Newel Post

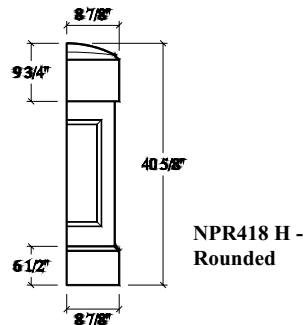


18" Newel Posts

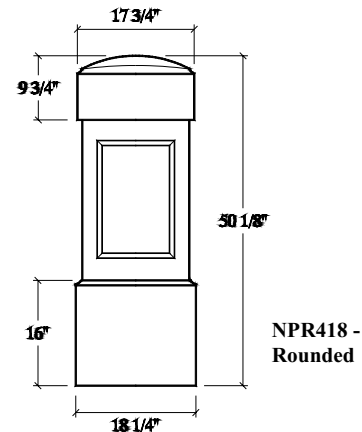
Newel Post



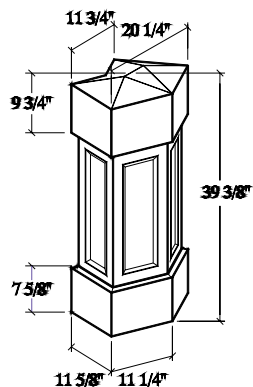
Half Newel Post



Extended Newel Post



45° Newel Posts



NPP45 – Peaked
[h- 39-3/8"]
NPR45 – Rounded
[h- 39-3/8"]

Half Posts
NPP45-H - Peaked
[h- 39-3/8"]
NPR45-H – Rounded
[h- 39-3/8"]

For "European Look" Balustrades:

Commercial Height Balustrades with the tall profile Top Rail [RT-301] and no Bottom Rail will meet residential code.

Commercial Balustrade Option:

Commercial Height Balustrades with the short profile Top Rail [RT-501] and the short profile Bottom Rail [RB-505] will meet residential code.

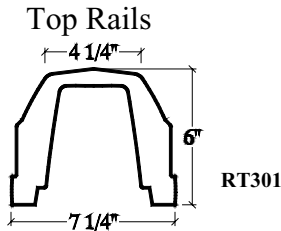
See "Cambridge Commercial Technical Specifications" for product dimensions.

The Cambridge Balustrade System

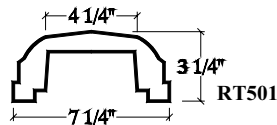
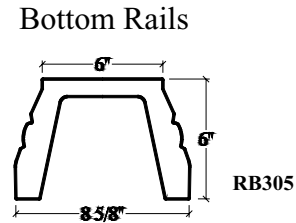
Marble & Resin Composite Product Manufactured By Pacific Columns.

Residential Installations

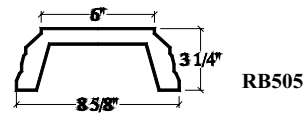
Railings



Tall Profile Railing



Short Profile Railing*



NOTE:

In some areas the Residential Building Code height may require a railing height of greater than 36". In these instances refer to the Cambridge Commercial Technical Specifications for product dimensions.

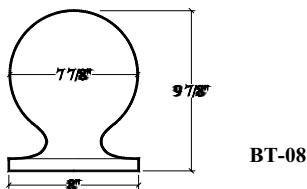
It is the customer's responsibility to determine and meet all applicable building codes.

*** Short Profile**

Railings will not meet Residential Code Height unless used with Commercial height balusters.

Ball Caps

Large Ball Cap



Pacific Columns

1040 S. Melrose
Placentia, CA 92870
1.800.294.1098 or 1.714.630.4550
1.714.630.4549 Fax
www.pacificcolumns.com

The Cambridge Balustrade System

Marble & Resin Composite Product Manufactured By Pacific Columns.

Commercial Installations Straight Applications & Extended For Stair Applications

Product Specifications:

Building codes for commercial applications of balusters are typically specified at 42" in height.

<u>Balusters</u>	<u>4" Sphere Code*</u>	<u>Typical Spacing</u>
Rail System Height:	42-1/2"	42-1/2"
Spacing:	1"	3"
Spacing On Center:	6-1/2"	8-1/2"
Balusters Needed per Linear Foot [LF]	1.846	1.37
Weight per LF Baluster, Rail & Hardware:	89 lbs.	75 lbs.

<u>Newel Posts</u>	<u>Peaked</u>	<u>Rounded Cap</u>
Commercial Newel Post	162.25 lbs.	169.5 lbs.
Commercial Half Newel Post	81.13 lbs	84.75 lbs.
Commercial Extended Newel Post	195.5 lbs.	202.75 lbs.

Ball Tops

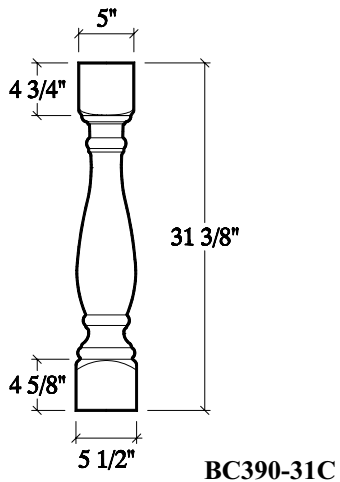
Large Ball Top [BT-08] 16 lbs.

Note: Ball Tops are to be used only with rounded cap newel posts.

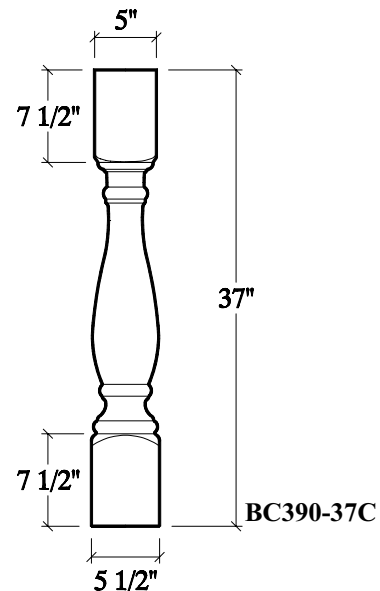
*4" Sphere Code spacing requires that a 4" ball cannot fit through any spacing between balusters. Customers are responsible for local code adherence.

Balusters

Straight Applications Balusters



Extended For Stair Applications



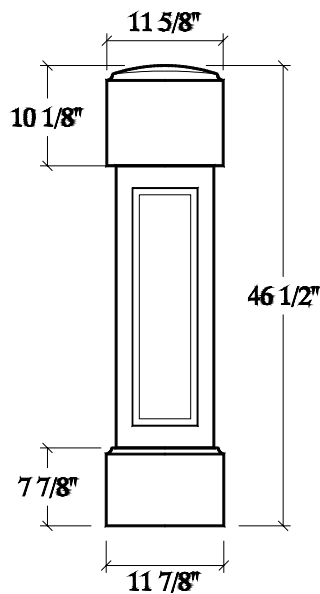
The Cambridge Balustrade System

Marble & Resin Composite Product Manufactured By Pacific Columns.

Commercial Installations

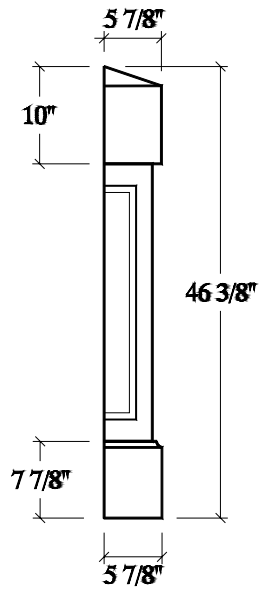
Newel Posts

Newel Post



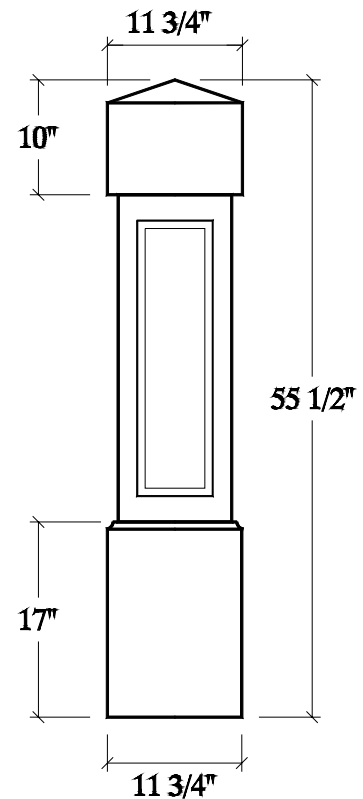
NPP390 – Peaked
[h- 46-3/8"]
NPR390 – Rounded
[h- 46-1/2"]

Half Newel Post



NPP396-H – Peaked
[h-46-3/8"]
NPR396-H – Rounded
[h- 46-1/2"]

Extended Newel Post



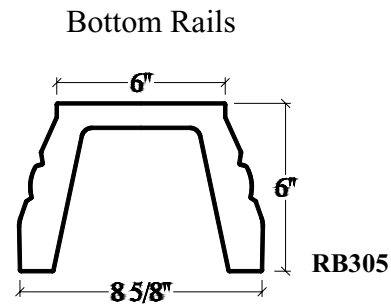
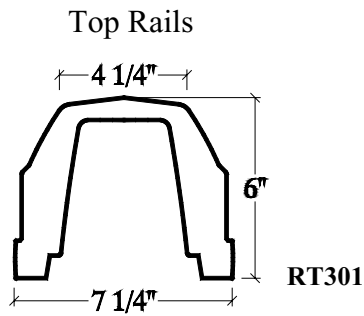
NPP390-X – Extended Peaked
[h-55-1/2"]
NPR390-X – Extended Rounded
[h-55-5/8"]

The Cambridge Balustrade System

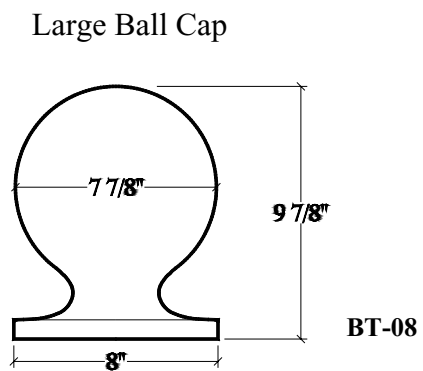
Marble & Resin Composite Product Manufactured By Pacific Columns.

Commercial Installations

Railings



Ball Caps



Pacific Columns

1040 S. Melrose
Placentia, CA 92870
1.800.294.1098 or 1.714.630.4550
1.714.630.4549 Fax
www.pacificcolumns.com

The Cambridge Balustrade System

Marble & Resin Composite Product Manufactured By Pacific Columns.

Roof Top Installations Straight Applications

Product Specifications:

Assembled baluster rail system height is 28-1/2" in height.

Balusters

	<u>4" Sphere Code*</u>	<u>Typical Spacing</u>
Rail System Height:	28-1/2"	28-1/2"
Spacing:	1-1/4"	3"
Spacing On Center:	6-3/4"	8-1/2"
Balusters Needed per Linear Foot [LF]	1.778	1.37
Weight per LF Baluster, Rail & Hardware:	65 lbs.	56 lbs.

Newel Posts

	<u>Peaked</u>	<u>Rounded Cap</u>
12" Roof Top Newel Post	118.25 lbs.	119.75 lbs.
12" Roof Top Half Newel Post	59.13 lbs.	119.75 lbs.

Ball Tops

Large Ball Top [BT-08] 16 lbs.

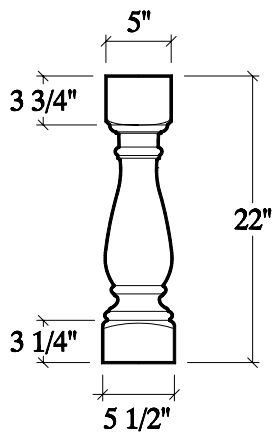
Note: Ball Tops are to be used only with rounded cap newel posts.

*4" Sphere Code spacing requires that a 4" ball cannot fit through any spacing between balusters. Customers are responsible for local code adherence.

Balusters

Railings

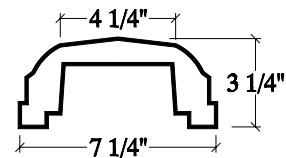
Straight Applications Balusters



BC520-22

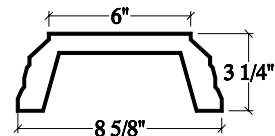
Top Railing

RT501



Bottom Railing

RB505



The Cambridge Balustrade System

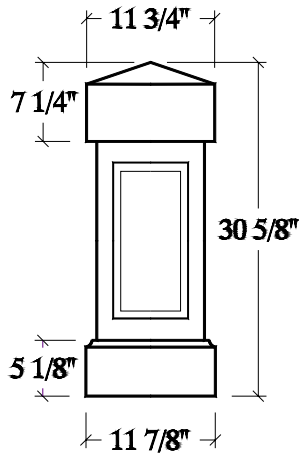
Marble & Resin Composite Product Manufactured By Pacific Columns.

Roof Top Installations

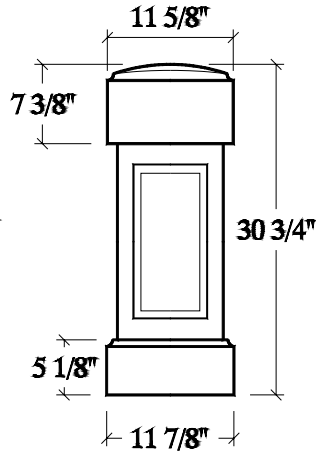
Newel Posts

12" Roof Top Newel Posts

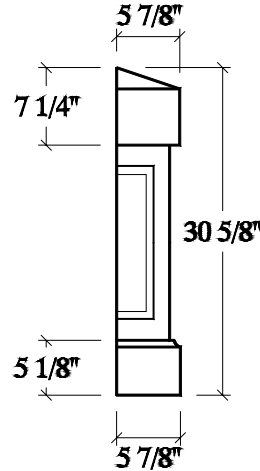
12" Roof Top Half Newel Posts



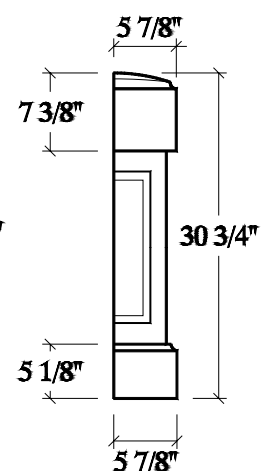
NPP512 - Peaked



NPP306-H - Rounded



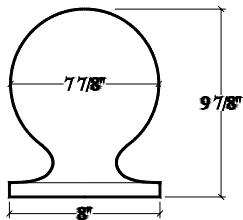
NPP506-H - Peaked



NPR506-H Rounded

Ball Caps

Large Ball Cap



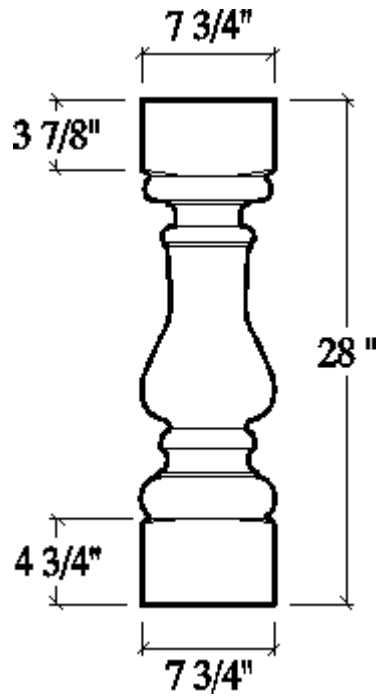
BT-08

Pacific Columns

1040 S. Melrose
Placentia, CA 92870
1.800.294.1098 or 1.714.630.4550
1.714.630.4549 Fax
www.pacificcolumns.com

The Huntington Balustrade System

Marble & Resin Composite Product Manufactured By Pacific Columns.



Huntington Baluster



Pacific Columns

1040 S. Melrose
Placentia, CA 92870
1.800.294.1098 or 1.714.630.4550
1.714.630.4549 Fax
www.pacificcolumns.com

The Huntington Balustrade System

Marble & Resin Composite Product Manufactured By Pacific Columns.

Residential Installations

Straight Applications & Extended For Stair Applications

Product Specifications:

Building codes for residential applications of balusters are typically specified at 36" in height.

<u>Balusters</u>	<u>4" Sphere Code*</u>	<u>Typical Spacing</u>
Rail System Height:	37-1/4"	37-1/4"
Spacing:	1/4"	3"
Spacing On Center:	8"	10-3/4"
Balusters Needed per Linear Foot [LF]	1.5	1.09
Weight per LF Baluster, Rail & Hardware:	109 lbs.	88 lbs.

<u>Newel Posts</u>	<u>Peaked</u>	<u>Rounded Cap</u>
12" Newel Post	137.75 lbs.	145 lbs.
12" Half Newel Post	68.88 lbs.	72.5 lbs.
12" Extended Newel Post	171 lbs.	178.25 lbs.
18" Newel Post	na	199.25 lbs.
18" Half Newel Post	na	99.63 lbs.
18" Extended Newel Post	na	264.75 lbs.
45° Newel Post	184 lbs.	190.5 lbs.
45° Half Newel Post	92 lbs.	95.25 lbs.

Ball Tops

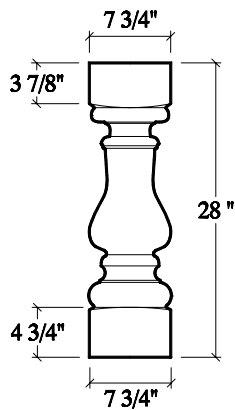
Large Ball Top [BT-08] 16 lbs.

Note: Ball Tops are to be used only with rounded cap newel posts.

*4" Sphere Code spacing requires that a 4" ball cannot fit through any spacing between balusters. Customers are responsible for local code adherence.

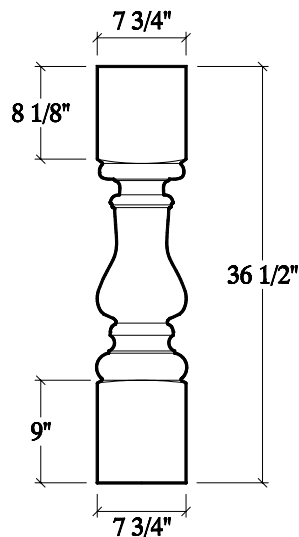
Balusters

Straight Applications Balusters



BH430-28

For Extended Stair Applications



BH430-36 - Extended

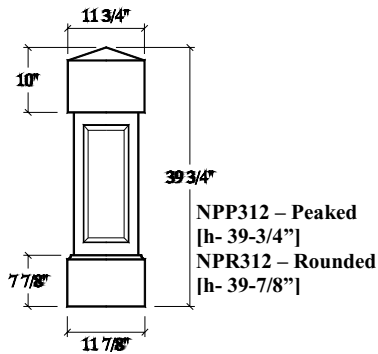
The Huntington Balustrade System

Marble & Resin Composite Product Manufactured By Pacific Columns.

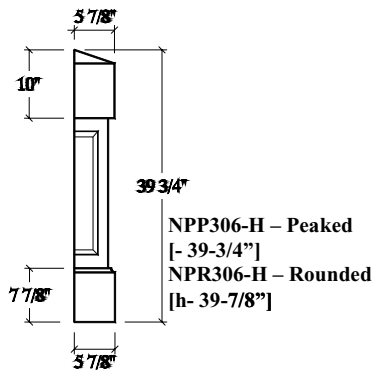
Residential Installations

12" Newel Posts

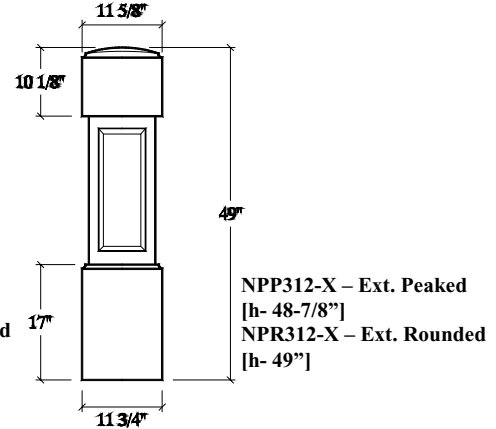
Newel Post



Half Newel Post

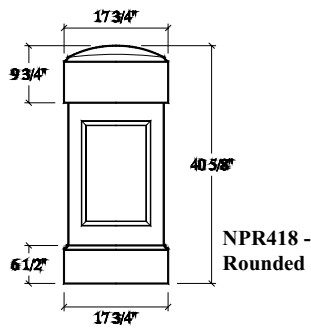


Extended Newel Post

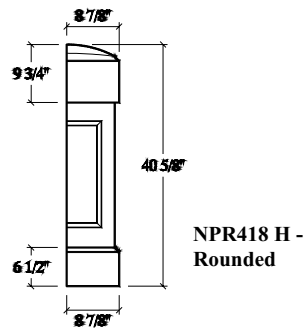


18" Newel Posts

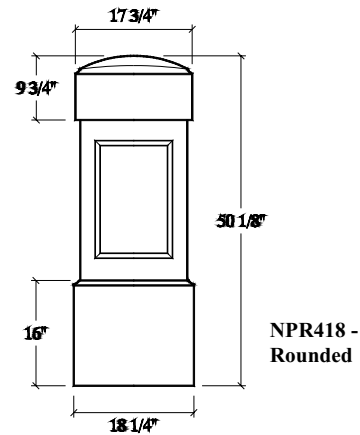
Newel Post



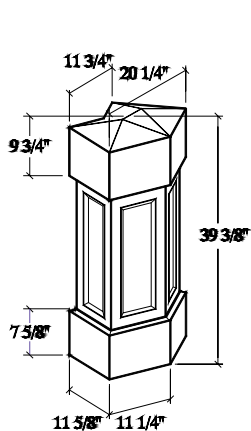
Half Newel Post



Extended Newel Post



45° Newel Posts



NPP45 – Peaked
[h- 39-3/8"]
NPR45 – Rounded
[h- 39-3/8"]

Half Posts
NPP45-H - Peaked
[h- 39-3/8"]
NPR45-H - Rounded
[h- 39-3/8"]

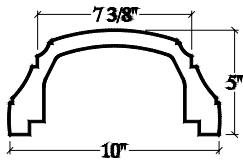
The Huntington Balustrade System

Marble & Resin Composite Product Manufactured By Pacific Columns.

Residential Installations

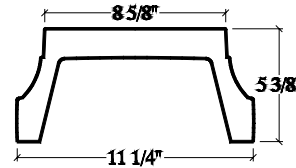
Railings

Top Rails



RT401

Bottom Rails



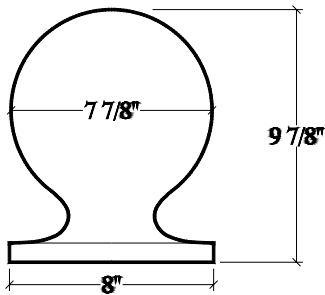
RB405

NOTE:

In some areas the Residential Building Code height may require a railing height of greater than 36". It is the customer's responsibility to determine and meet all applicable building codes.

Ball Caps

Large Ball Cap



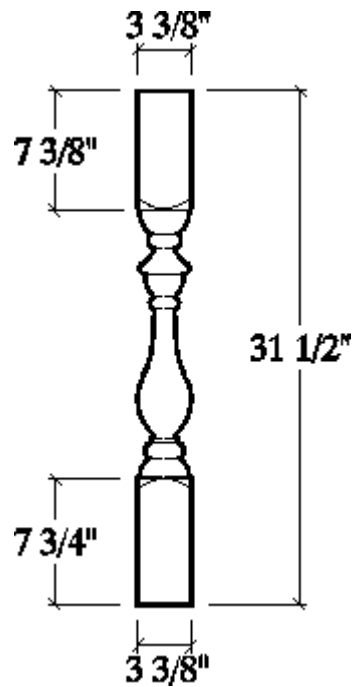
BT-08

Pacific Columns

1040 S. Melrose
Placentia, CA 92870
1.800.294.1098 or 1.714.630.4550
1.714.630.4549 Fax
www.pacificcolumns.com

The Charleston Balustrade System

Marble & Resin Composite Product Manufactured By Pacific Columns.



Charleston Spindle Baluster



Pacific Columns

1040 S. Melrose
Placentia, CA 92870
1.800.294.1098 or 1.714.630.4550
1.714.630.4549 Fax
www.pacificcolumns.com

The Charleston Spindle Balustrade System

Marble & Resin Composite Product Manufactured By Pacific Columns.

Residential Installations

Straight Applications & Extended For Stair Applications

Product Specifications:

Building codes for residential applications of balusters are typically specified at 36" in height.

<u>Balusters</u>	<u>4" Sphere Code*</u>	<u>Typical Spacing</u>
Rail System Height:	36-1/2"	36-1/2"
Spacing:	1-7/8"	3-1/8"
Spacing On Center:	5-1/4"	6-1/2"
Balusters Needed per Linear Foot [LF]	2.286	1.8
Weight per LF Baluster, Rail & Hardware:	43 lbs.	37 lbs.

<u>Newel Posts</u>	<u>Flat</u>	<u>Peaked</u>	<u>Rounded Cap</u>
6" Newel Post	64.25 lbs.		
6" Half Newel Post	32.13 lbs.		
6" Extended Newel Post	80 lbs.		
12" Newel Post*		137.75 lbs.	145 lbs.
45° Newel Post*		184 lbs.	190.5 lbs.

*Refer to Cambridge Residential Tech Specifications for 12" and 45° newel post dimensions, half and extended newel post weights.

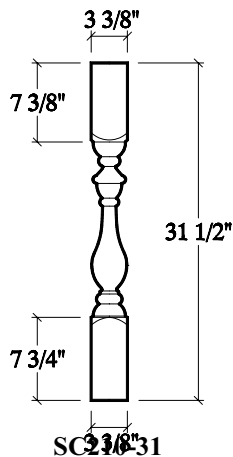
<u>Ball Tops</u>	
Small Ball Top [BT-05]	3.75 lbs.
Small Knob Top [BT-06]	3.75 lbs.
Large Knob Top [BT-12]	7.25 lbs.

Note: Ball Tops are to be used only with rounded or flat cap newel posts.

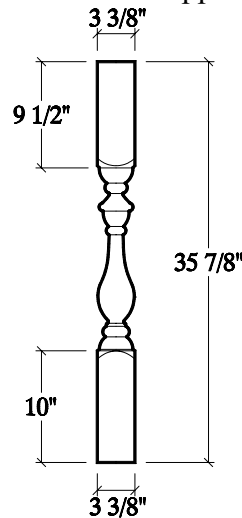
*4" Sphere Code spacing requires that a 4" ball cannot fit through any spacing between balusters. Customers are responsible for local code adherence.

Spindles

Straight Applications Spindles



For Extended Stair Applications



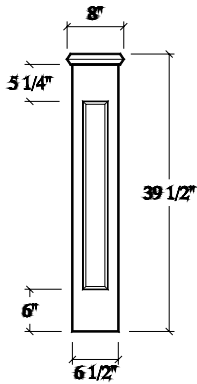
The Charleston Spindle Balustrade System

Marble & Resin Composite Product Manufactured By Pacific Columns.

Residential Installations

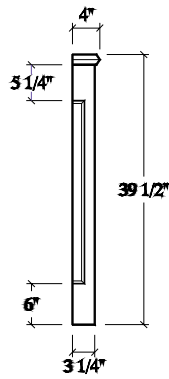
6" Newel Posts

Newel Post



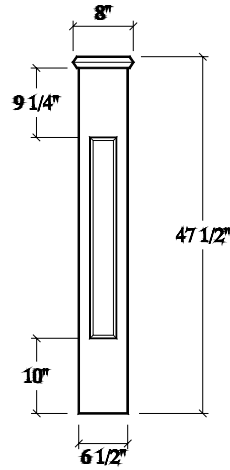
NPF206

Half Newel Post



NPF203-H

Extended Newel Post

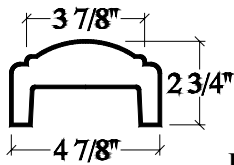


NPF206-X Extended

Note: 12" and 45° Newel Posts can also be used with spindles. See Cambridge Residential Technical Specifications for product drawings and dimensions.

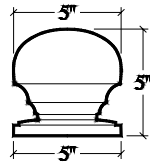
Railings & Ball Tops

Top Railing



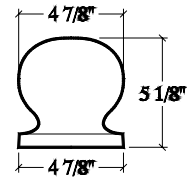
RT201

Small Knob Top



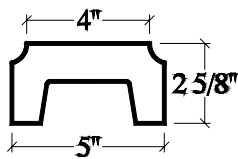
BT-06

Small Ball Top



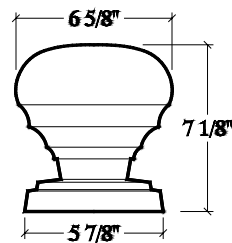
BT-05

Bottom Railing



RB205

Large Knob Top



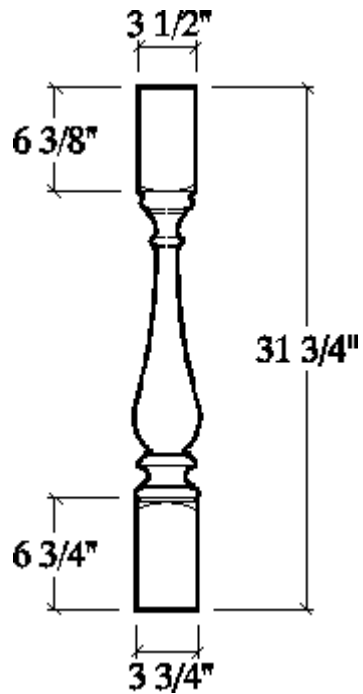
BT-12

Pacific Columns

1040 S. Melrose
 Placentia, CA 92870
 1.800.294.1098 or 1.714.630.4550
 1.714.630.4549 Fax
 www.pacificcolumns.com

The Lexington Balustrade System

Marble & Resin Composite Product Manufactured By Pacific Columns.



Lexington Spindle Baluster



Pacific Columns

1040 S. Melrose
Placentia, CA 92870
1.800.294.1098 or 1.714.630.4550
1.714.630.4549 Fax
www.pacificcolumns.com

The Lexington Spindle Balustrade System

Marble & Resin Composite Product Manufactured By Pacific Columns.

Residential Installations

Straight Applications & Extended For Stair Applications

Product Specifications:

Building codes for residential applications of balusters are typically specified at 36" in height.

<u>Balusters</u>	<u>4" Sphere Code*</u>	<u>Typical Spacing</u>
Rail System Height:	36-3/4"	36-3/4"
Spacing:	1-3/4"	3-1/4"
Spacing On Center:	5-1/2"	7"
Balusters Needed per Linear Foot [LF]	2.182	1.67
Weight per LF Baluster, Rail & Hardware:	50 lbs.	41 lbs.

<u>Newel Posts</u>	<u>Flat</u>	<u>Peaked</u>	<u>Rounded Cap</u>
6" Newel Post	64.25 lbs.		
6" Half Newel Post	32.13 lbs.		
6" Extended Newel Post	80 lbs.		
12" Newel Post*		137.75 lbs.	145 lbs.
45° Newel Post*		184 lbs.	190.5 lbs.

*Refer to Cambridge Residential Tech Specifications for 12" and 45° newel post dimensions, half and extended newel post weights.

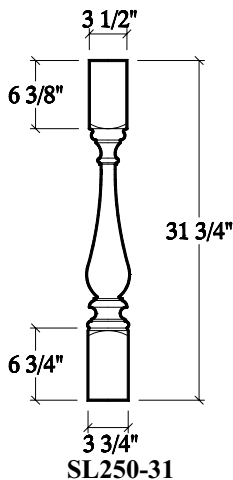
<u>Ball Tops</u>	
Small Ball Top [BT-05]	3.75 lbs.
Small Knob Top [BT-06]	3.75 lbs.
Large Knob Top [BT-12]	7.25 lbs.

Note: Ball Tops are to be used only with rounded or flat cap newel posts.

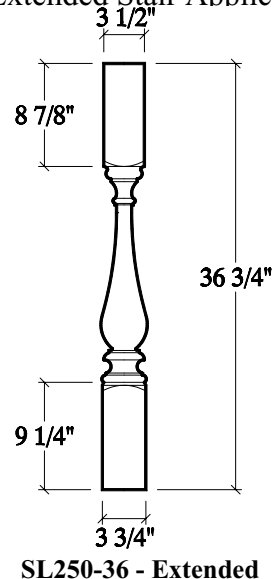
*4" Sphere Code spacing requires that a 4" ball cannot fit through any spacing between balusters. Customers are responsible for local code adherence.

Spindles

Straight Applications Spindles



For Extended Stair Applications



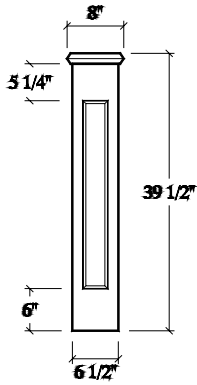
The Lexington Spindle Balustrade System

Marble & Resin Composite Product Manufactured By Pacific Columns.

Residential Installations

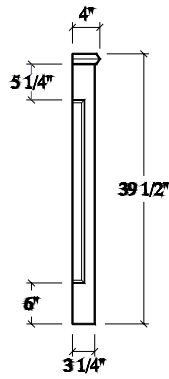
Newel Posts

Newel Post



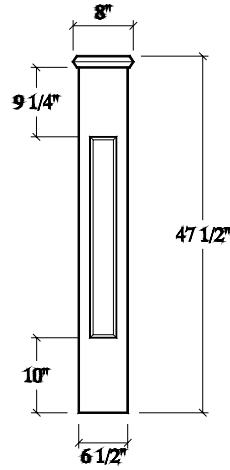
NPF206

Half Newel Post



NPF203-H

Extended Newel Post

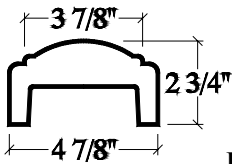


NPF206-X Extended

Note: 12" and 45° Newel Posts can also be used with spindles. See Cambridge Residential Technical Specifications for product drawings and dimensions.

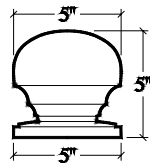
Railings & Ball Tops

Top Railing



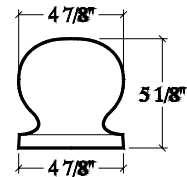
RT201

Small Knob Top



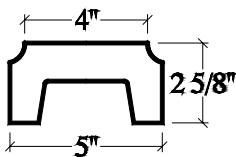
BT-06

Small Ball Top



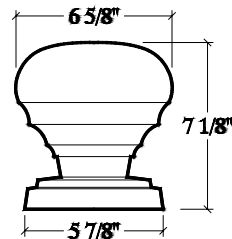
BT-05

Bottom Railing



RB205

Large Knob Top



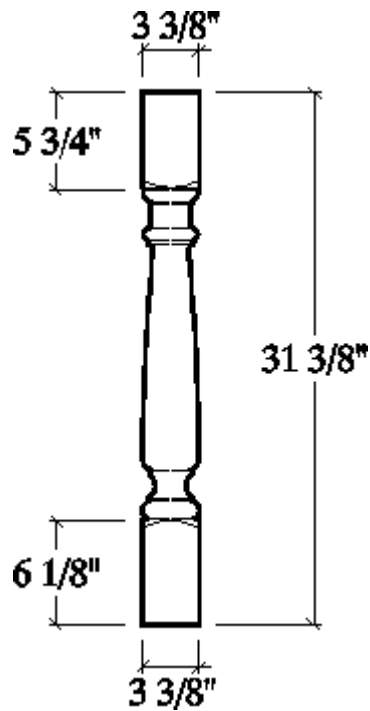
BT-12

Pacific Columns

1040 S. Melrose
 Placentia, CA 92870
 1.800.294.1098 or 1.714.630.4550
 1.714.630.4549 Fax
 www..pacificcolumns.com

The Savannah Balustrade System

Marble & Resin Composite Product Manufactured By Pacific Columns.



Savannah Spindle Baluster

Pacific Columns

1040 S. Melrose
Placentia, CA 92870
1.800.294.1098 or 1.714.630.4550
1.714.630.4549 Fax
www.pacificcolumns.com

The Savannah Spindle Balustrade System

Marble & Resin Composite Product Manufactured By Pacific Columns.

Residential Installations

Straight Applications & Extended For Stair Applications

Product Specifications:

Building codes for residential applications of balusters are typically specified at 36" in height.

<u>Balusters</u>	<u>4" Sphere Code*</u>	<u>Typical Spacing</u>
Rail System Height:	36-3/8"	36-3/8"
Spacing:	2-5/8"	3-1/8"
Spacing On Center:	6"	6-1/2"
Balusters Needed per Linear Foot [LF]	2	1.8
Weight per LF Baluster, Rail & Hardware:	45 lbs.	42 lbs.

<u>Newel Posts</u>	<u>Flat</u>	<u>Peaked</u>	<u>Rounded Cap</u>
6" Newel Post	64.25 lbs.		
6" Half Newel Post	32.13 lbs.		
6" Extended Newel Post	80 lbs.		
12" Newel Post*		137.75 lbs.	145 lbs.
45° Newel Post*		184 lbs.	190.5 lbs.

*Refer to Cambridge Residential Tech Specifications for 12" and 45° newel post dimensions, half and extended newel post weights.

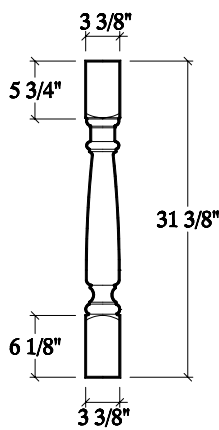
<u>Ball Tops</u>	
Small Ball Top [BT-05]	3.75 lbs.
Small Knob Top [BT-06]	3.75 lbs.
Large Knob Top [BT-12]	7.25 lbs.

Note: Ball Tops are to be used only with rounded or flat cap newel posts.

*4" Sphere Code spacing requires that a 4" ball cannot fit through any spacing between balusters. Customers are responsible for local code adherence.

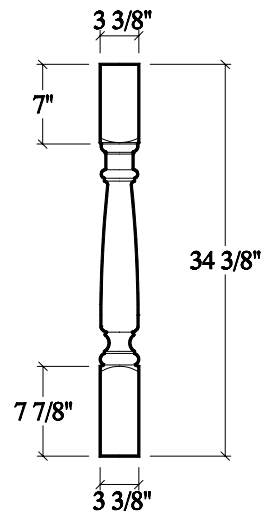
Spindles

Straight Applications Spindles



SS220-31

For Extended Stair Applications



SS220-34 - Extended

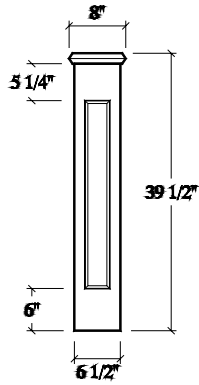
The Savannah Spindle Balustrade System

Marble & Resin Composite Product Manufactured By Pacific Columns.

Residential Installations

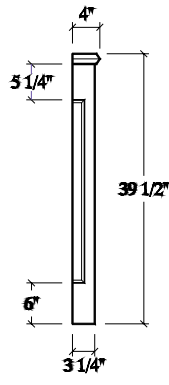
Newel Posts

Newel Post



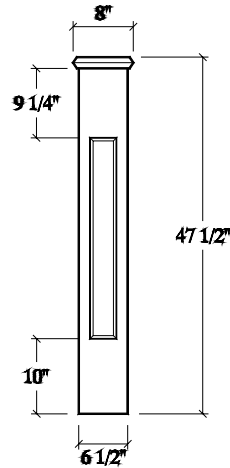
NPF206

Half Newel Post



NPF203-H

Extended Newel Post

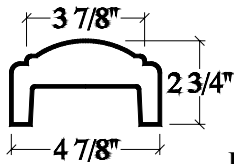


NPF206-X Extended

Note: 12" and 45° Newel Posts can also be used with spindles. See Cambridge Residential Technical Specifications for product drawings and dimensions.

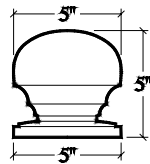
Railings & Ball Tops

Top Railing



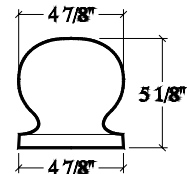
RT201

Small Knob Top



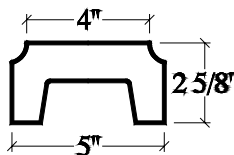
BT-06

Small Ball Top



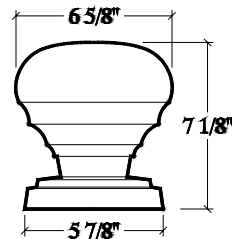
BT-05

Bottom Railing



RB205

Large Knob Top



BT-12

Pacific Columns

1040 S. Melrose
 Placentia, CA 92870
 1.800.294.1098 or 1.714.630.4550
 1.714.630.4549 Fax
 www.pacificcolumns.com