

# The Huntington Balustrade System

Marble & Resin Composite Product Manufactured By Pacific Columns.

## Residential Installations

### Straight Applications & Extended For Stair Applications

#### Product Specifications:

Building codes for residential applications of balusters are typically specified at 36" in height.

<u>Balusters</u>	<u>4" Sphere Code*</u>	<u>Typical Spacing</u>
Rail System Height:	37-1/4"	37-1/4"
Spacing:	1/4"	3"
Spacing On Center:	8"	10-3/4"
Balusters Needed per Linear Foot [LF]	1.5	1.09
Weight per LF Baluster, Rail & Hardware:	109 lbs.	88 lbs.

<u>Newel Posts</u>	<u>Peaked</u>	<u>Rounded Cap</u>
12" Newel Post	137.75 lbs.	145 lbs.
12" Half Newel Post	68.88 lbs.	72.5 lbs.
12" Extended Newel Post	171 lbs.	178.25 lbs.
18" Newel Post	na	199.25 lbs.
18" Half Newel Post	na	99.63 lbs.
18" Extended Newel Post	na	264.75 lbs.
45° Newel Post	184 lbs.	190.5 lbs.
45° Half Newel Post	92 lbs.	95.25 lbs.

#### Ball Tops

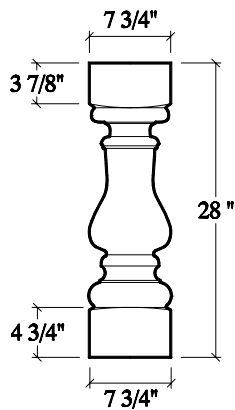
Large Ball Top [BT-08] 16 lbs.

Note: Ball Tops are to be used only with rounded cap newel posts.

\*4" Sphere Code spacing requires that a 4" ball cannot fit through any spacing between balusters. Customers are responsible for local code adherence.

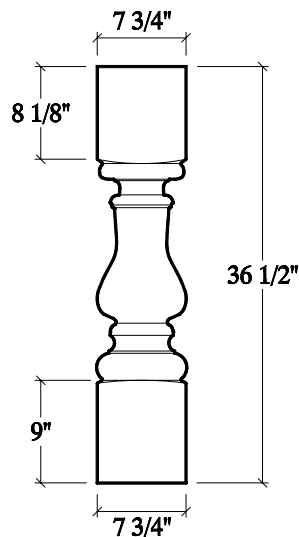
#### Balusters

Straight Applications Balusters



BH430-28

For Extended Stair Applications



BH430-36 - Extended

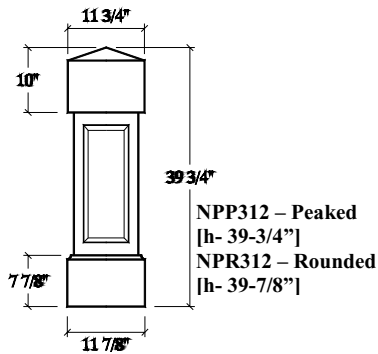
# The Huntington Balustrade System

Marble & Resin Composite Product Manufactured By Pacific Columns.

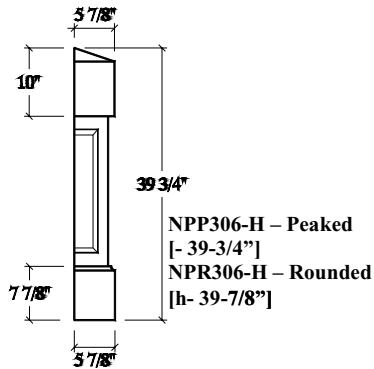
## Residential Installations

### 12" Newel Posts

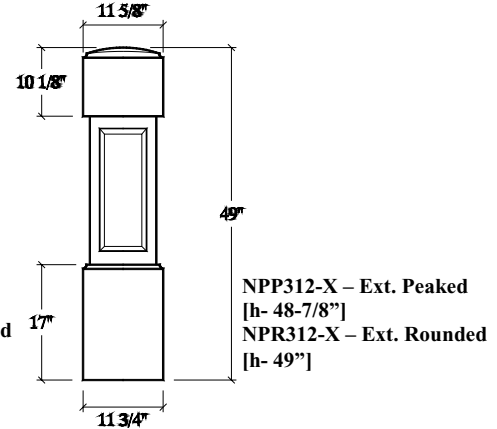
Newel Post



Half Newel Post

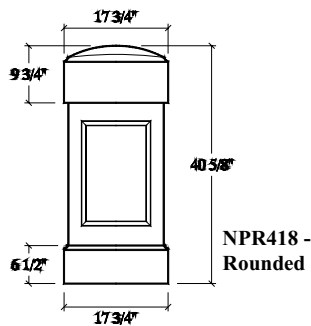


Extended Newel Post

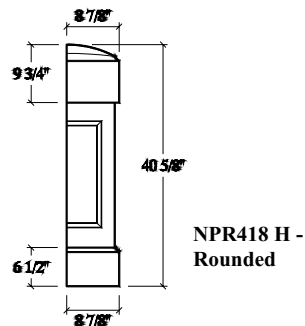


### 18" Newel Posts

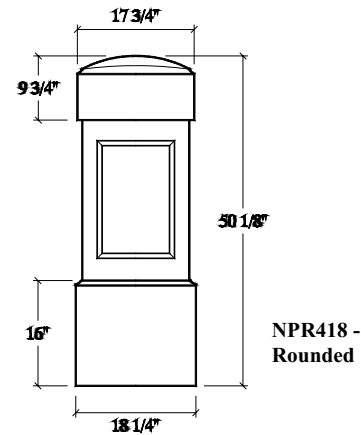
Newel Post



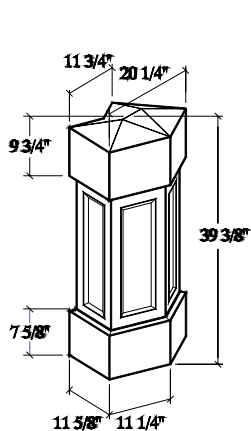
Half Newel Post



Extended Newel Post



### 45° Newel Posts



NPP45 – Peaked  
[h- 39-3/8"]  
NPR45 – Rounded  
[h- 39-3/8"]

Half Posts  
NPP45-H - Peaked  
[h- 39-3/8"]  
NPR45-H - Rounded  
[h- 39-3/8"]

# The Huntington Balustrade System

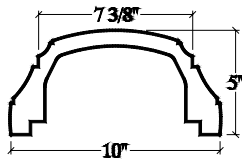
Marble & Resin Composite Product Manufactured By Pacific Columns.

## Residential Installations

### Railings

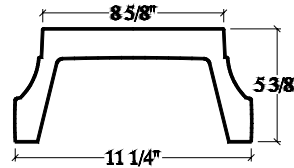
---

Top Rails



RT401

Bottom Rails



RB405

**NOTE:**

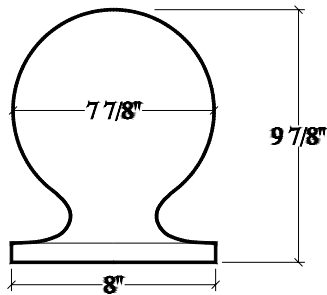
In some areas the Residential Building Code height may require a railing height of greater than 36".

It is the customer's responsibility to determine and meet all applicable building codes.

### Ball Caps

---

Large Ball Cap



BT-08

## Pacific Columns

1040 S. Melrose  
Placentia, CA 92870  
1.800.294.1098 or 1.714.630.4550  
1.714.630.4549 Fax  
[www.pacificcolumns.com](http://www.pacificcolumns.com)