

# The Cambridge Balustrade System

Marble & Resin Composite Product Manufactured By Pacific Columns.

## Residential Installations

### Straight Applications & Extended For Stair Applications

#### Product Specifications:

Building codes for residential applications of balusters are typically specified at 36" in height.

<u>Balusters</u>	<u>4" Sphere Code*</u>	<u>Typical Spacing</u>
Rail System Height:	37-1/4"	37-1/4"
Spacing:	1-1/4"	3"
Spacing On Center:	6-3/4"	8-1/2"
Balusters Needed per Linear Foot [LF]	1.778	1.37
Weight per LF Baluster, Rail & Hardware:	81 lbs.	71 lbs.

<u>Newel Posts</u>	<u>Peaked</u>	<u>Rounded Cap</u>
12" Newel Post	137.75 lbs.	145 lbs.
12" Half Newel Post	68.88 lbs.	72.5 lbs.
12" Extended Newel Post	171 lbs.	178.25 lbs.
18" Newel Post	na	199.25 lbs.
18" Half Newel Post	na	99.63 lbs.
18" Extended Newel Post	na	264.75 lbs.
45° Newel Post	184 lbs.	190.5 lbs.
45° Half Newel Post	92 lbs.	95.25 lbs.

#### Ball Tops

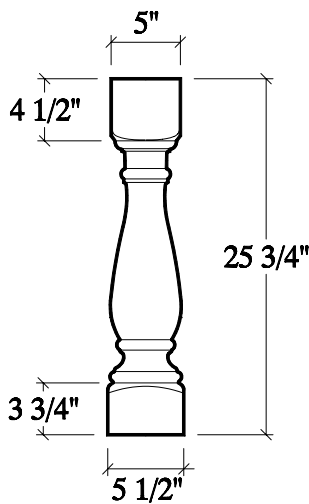
Large Ball Top [BT-08] 16 lbs.

Note: Ball Tops are to be used only with rounded cap newel posts.

\*4" Sphere Code spacing requires that a 4" ball cannot fit through any spacing between balusters. Customers are responsible for local code adherence.

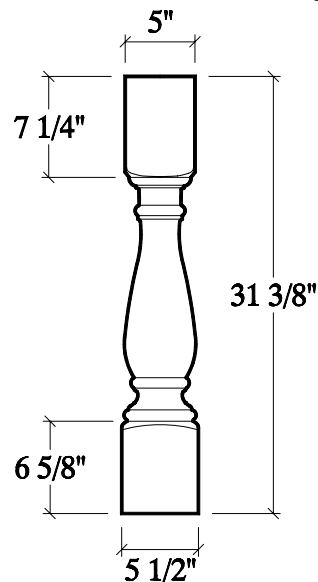
#### Balusters

##### Straight Applications Balusters



BC340-25

##### Extended For Stair Applications



BC340-31 - Extended

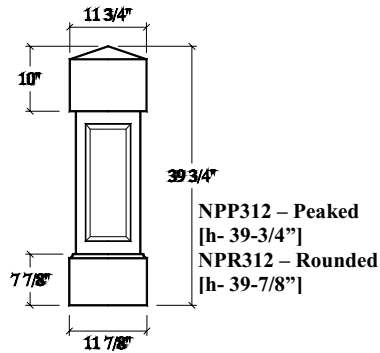
# The Cambridge Balustrade System

Marble & Resin Composite Product Manufactured By Pacific Columns.

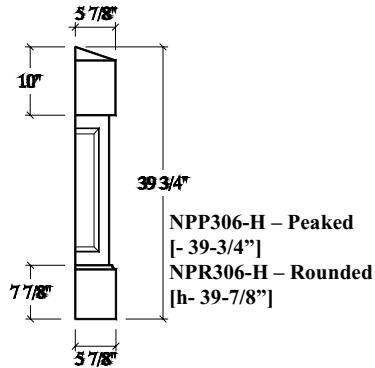
## Residential Installations

### 12" Newel Posts

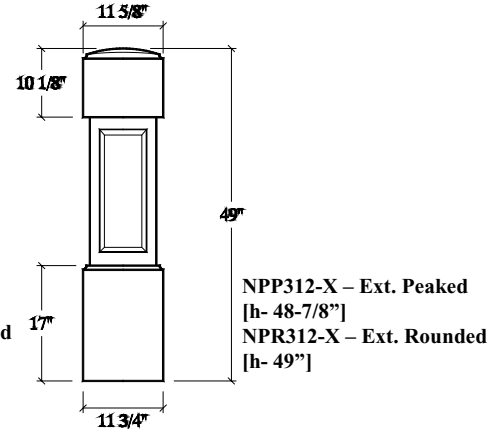
Newel Post



Half Newel Post

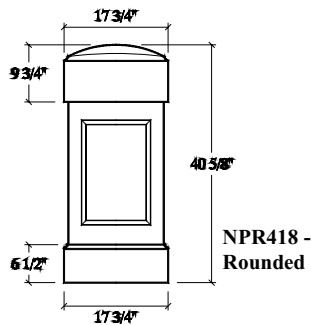


Extended Newel Post

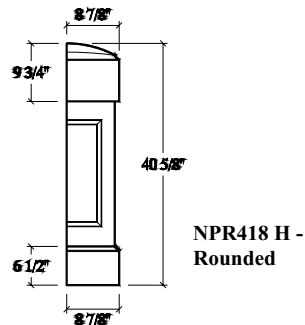


### 18" Newel Posts

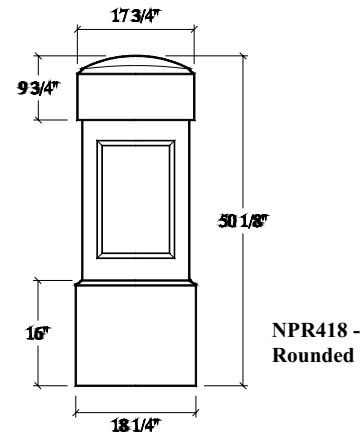
Newel Post



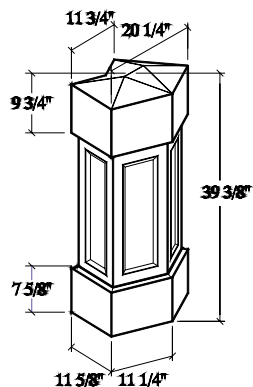
Half Newel Post



Extended Newel Post



### 45° Newel Posts



NPP45 – Peaked  
[h- 39-3/8"]  
NPR45 – Rounded  
[h- 39-3/8"]

*Half Posts*  
NPP45-H - Peaked  
[h- 39-3/8"]  
NPR45-H - Rounded  
[h- 39-3/8"]

#### For "European Look" Balustrades:

Commercial Height Balustrades with the tall profile Top Rail [RT-301] and no Bottom Rail will meet residential code.

#### Commercial Balustrade Option:

Commercial Height Balustrades with the short profile Top Rail [RT-501] and the short profile Bottom Rail [RB-505] will meet residential code.

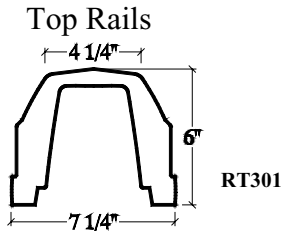
See "Cambridge Commercial Technical Specifications" for product dimensions.

# The Cambridge Balustrade System

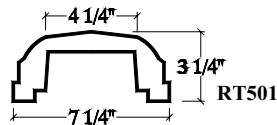
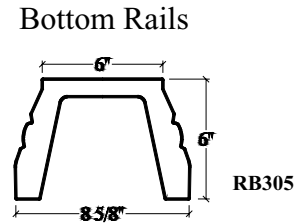
Marble & Resin Composite Product Manufactured By Pacific Columns.

## Residential Installations

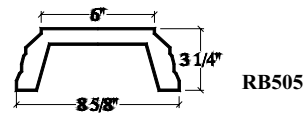
### Railings



Tall Profile Railing



Short Profile Railing\*



**NOTE:**

In some areas the Residential Building Code height may require a railing height of greater than 36". In these instances refer to the Cambridge Commercial Technical Specifications for product dimensions.

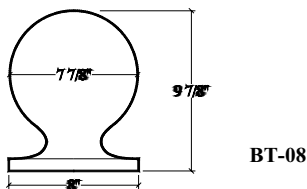
It is the customer's responsibility to determine and meet all applicable building codes.

**\* Short Profile**

Railings will not meet Residential Code Height unless used with Commercial height balusters.

### Ball Caps

Large Ball Cap



## Pacific Columns

1040 S. Melrose  
Placentia, CA 92870  
1.800.294.1098 or 1.714.630.4550  
1.714.630.4549 Fax  
www.pacificcolumns.com